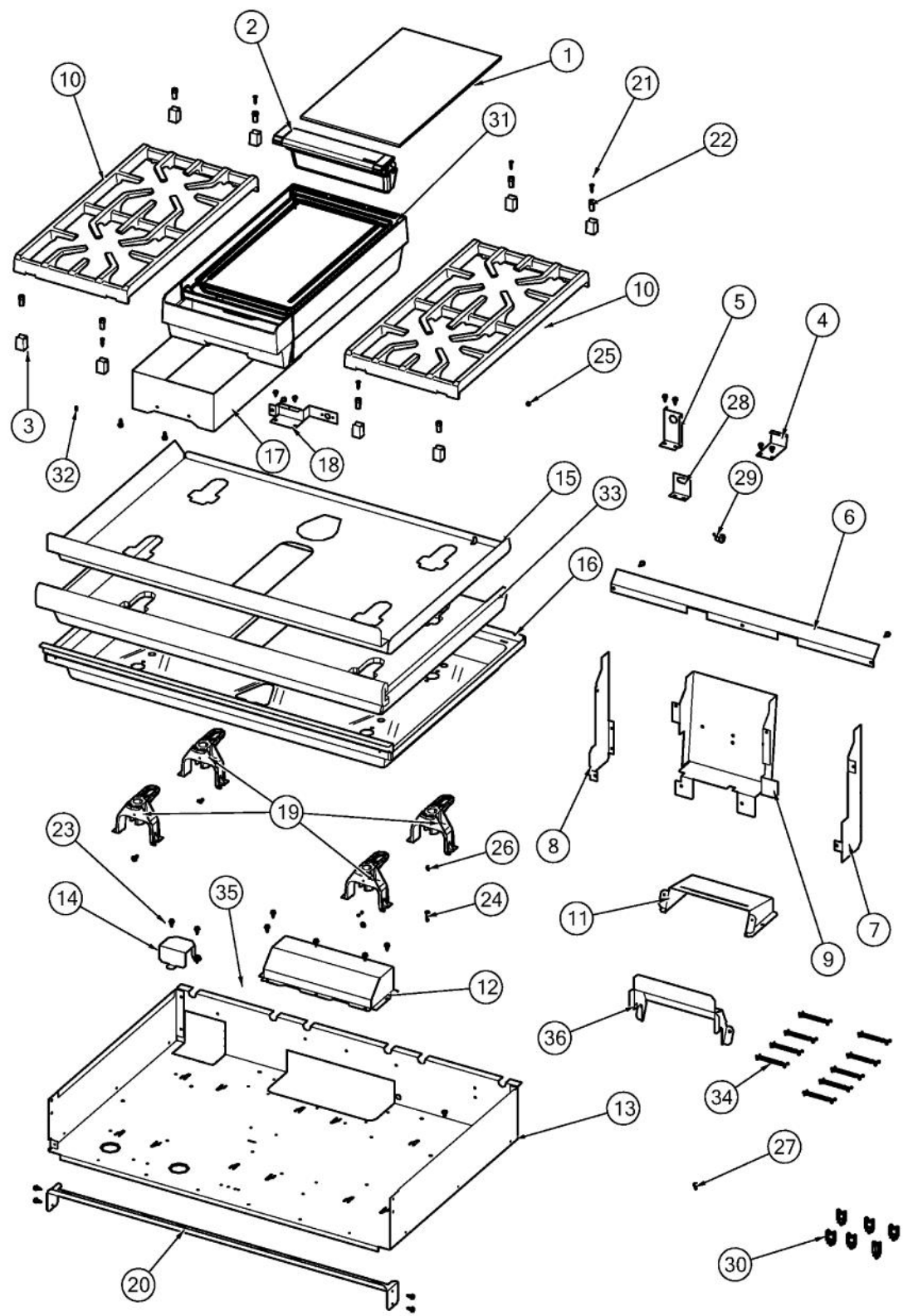
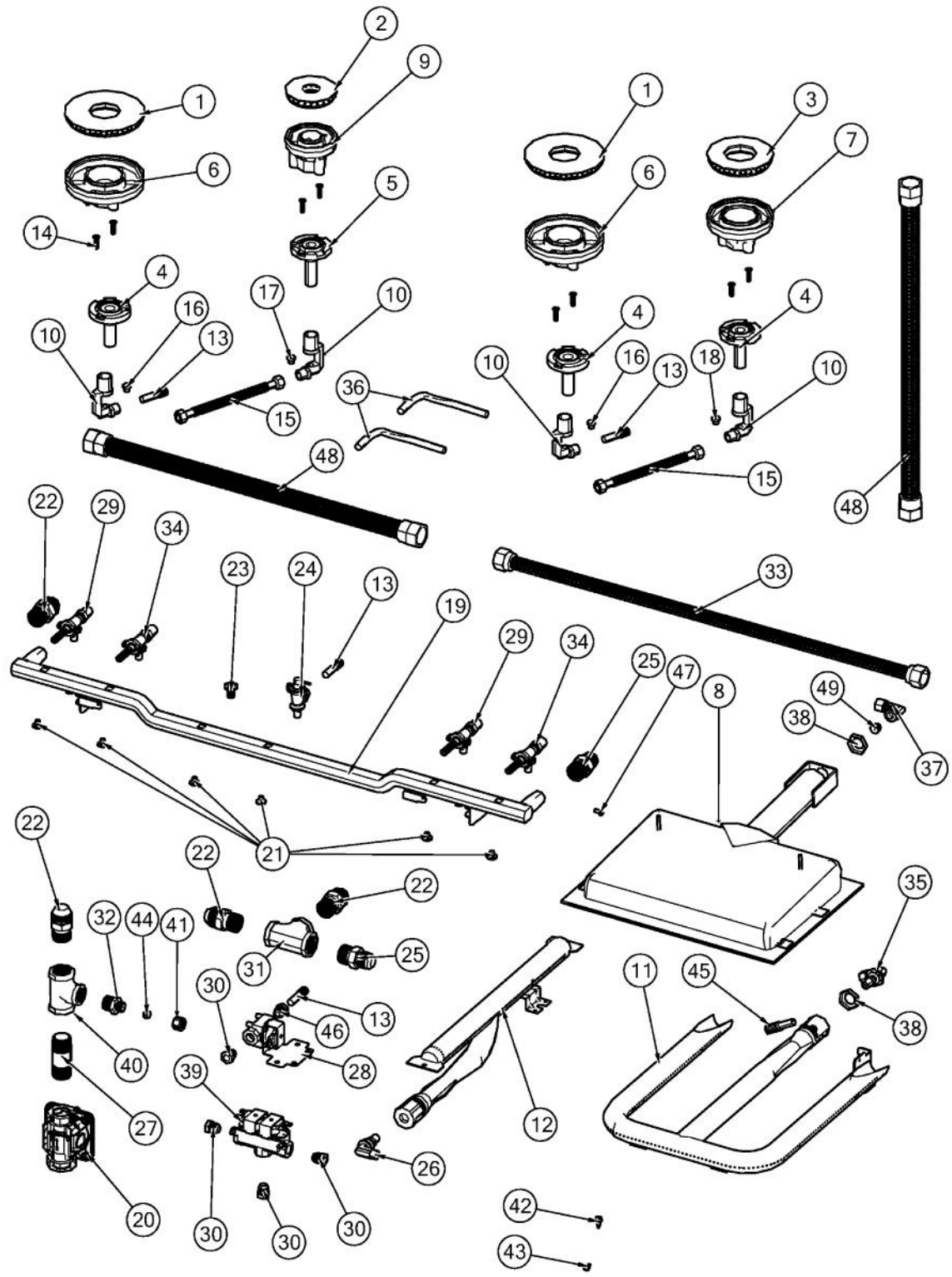


Ref #	Part Number	Qty.	Description
1	012438-000	1	SWITCH, LIM, BRKT
2	046187-000	1	SHIELD, WATER, DIVERTER
3	033668-000	1	BRACKET, DISCONNECT
5	044786-000	1	BACK, OVEN, CAVITY, VGR, 36
6	N/P	1	CABINET (NOT FIELD REPLACEABLE)
7	042339-000	1	PANEL, INSL, RH
8	005536-000	1	TRIM
9	G9105526BK	1	OVEN BOTTOM ASSY
10	040736-000	1	BRKT, ORF
11	014747-000	1	BRACKET, BNR, SIDE, BLUE PORCELAIN
12	020604-000	1	BASE, RANGE
13	A2004429	2	OVEN BOTTOM INSUL. BRACE (VGSC306)
14	PC030007	4	LEG PLATE - 3/4 THREADED HOLE
15	046935-000	2	BRACKET, LEG, OFFSET
16	043730-000	1	OVEN CVTY, BTM, 36
17	014747-000	1	BRACKET, BNR, SIDE, BLUE PORCELAIN
18	021225-402	1	COVER, CNVN, ASM, BK PORC
19	009005-000	1	GASKET CLIP RAW
20	031445-402	1	BRACE, OVEN, BOTTOM, BACK
21	020409-000	1	BRACKET, SPRT, FR, I/R BROILER
22	020412-000	1	BRACKET, SPRT, REAR, I/R BROILER
23	046677-000	1	INSULATION, FBGL, RECEIVER, DAMPENING
24	045060-000	1	RECEIVER, HINGE, SLOW-CLOSE, UNDAMPENED
25	046677-000	1	INSULATION, FBGL, RECEIVER, DAMPENING
26	005536-000	1	TRIM
27	042343-000	1	PANEL, INSL, LH
28	006192-000	2	VENT, ASM, OVEN ASSEMBLY
29	PB070079	2	SILICONE EXTRUSION (DGSU)
30	042348-000	1	PANEL, INSL, 36 TOP
31	042346-000	1	DIVERTER, AIR, LH
32	045786-000	1	RECEIVER, HINGE, SLOW-CLOSE, DAMPENED
33	043699-402	1	FRAME, FR, WELDMNT, 36 BK
34	033668-000	1	BRACKET, DISCONNECT
35	048048-000	1	BRKT, SWITCH, LIM, HIGH
36	046065-000	1	BRACKET, SWITCH, OVEN LIGHT
37	042347-000	1	DIVERTER, AIR, RH
38	046409-000	1	BRCKT, RETAINER, REGULATOR
39	A2008467	1	INSULATION SHIELD
40	003860-000		NO. 10-18 X .500 FASTNR, SCR, HXWH, STL, ZPLT
41	046651-000		SCREW, TRILOBE, 10-32, TRUSS, PH, BLACK
42	PD040005	1	SNAP BUSHING - 7/8
43	044044-000	1	GROMMET, SWITCH, DOOR, RBR
44	046019-000	1	GASKET, LINER, AG, ASM 36

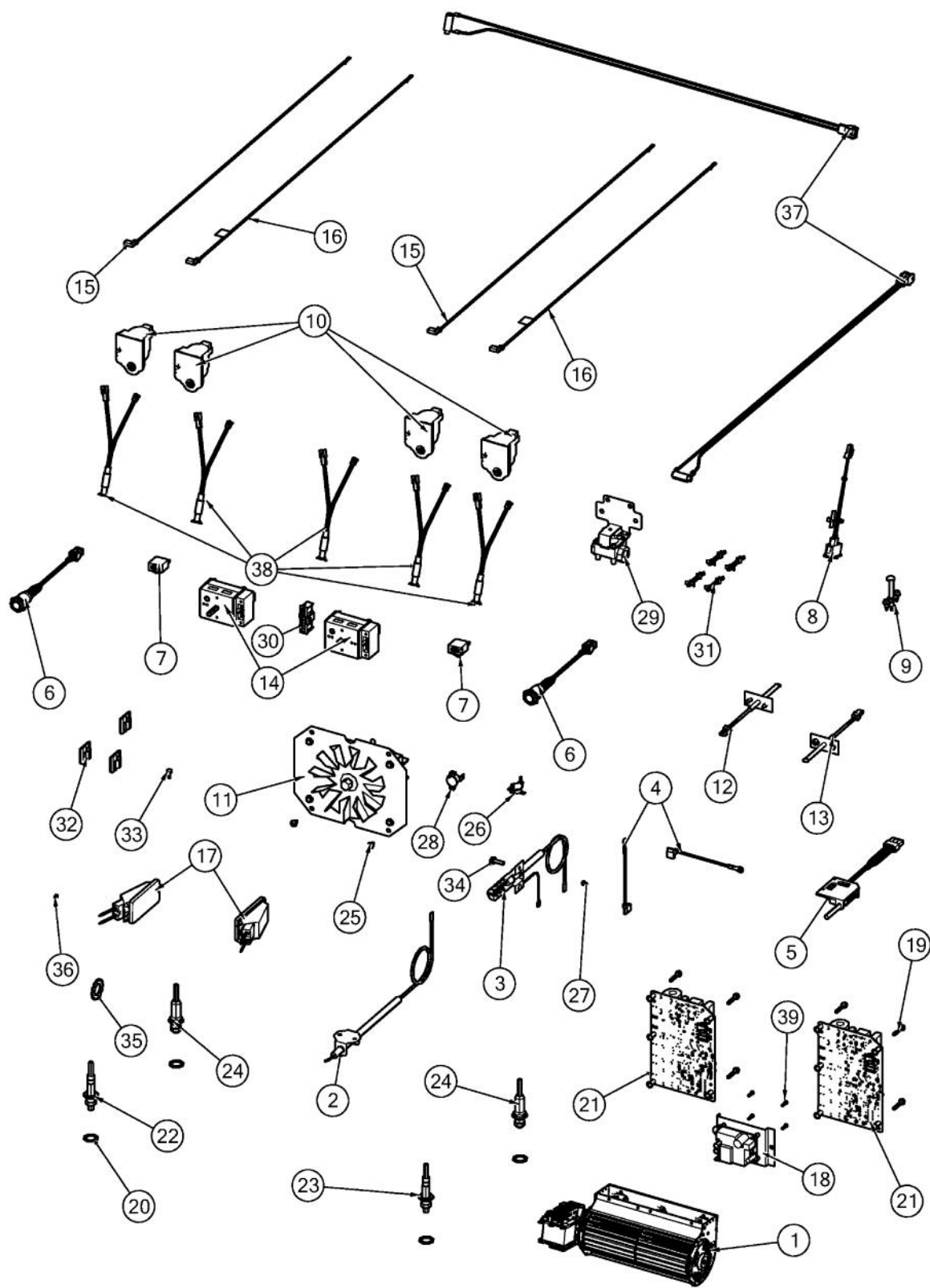


Ref #	Part Number	Qty.	Description
1	044873-000	1	PLATE, W/A, 12 GRIDDLE
2	047072-000	1	TROUGH, GRS, GRIDDLE, ASM
3	042410-000	8	SUPPORT, GRATE
4	045840-000	1	BURNER, HOLDER, REAR
5	045888-000	1	BRKT, GRDL
6	031313-000	1	DIVERTER, AIR 36
7	042742-000	1	DIVERTER, BRKT, LH
8	042741-000	1	DIVERTER, BRKT, RH
9	042785-000	1	COVER, BLO
10	042545-000	2	GRATE, CAST, 12
11	049753-000	1	SHIELD, HEAT, HARNESS, BTM
12	042350-000	1	COVER, FAN
13	042349-000	1	BOX, BNR, 36
14	048188-000	1	BRACKET, TEE, PIPE
15	049750-000	1	TRAY, INSULATION, BURNER PAN, GRIDDLE, 36
16	049039-402	1	PAN, BNR, SHIM, ASM, BLK, 36 GRIDDLE
17	046854-000	1	SHIELD, HEAT
18	045843-000	1	BRKT, BURNER, SPT
19	044486-000	4	SUPPORT, HLD, JET
20	049744-000	1	BRACKET, MTG, 36 CONTROL PANEL
21	PD020061	8	NO.8 X 3/4 FLAT HD TEK. SS.
22	046873-000	7	SILENCER, GRATE
23	003860-000	1	NO.10-18 X .500 FASTNR,SCR,HXWH,STL,ZPLT
24	049534-000	1	SCREW, 8-32 X 3/4, PHIL, FLAT
25	PD020010	1	10 X 3/8 GREEN GROUNDING SCREW
26	PD020068	1	NO.10 - 32 X 1/2TRUSS. PHIL. M.XSSX
27	014143-000	1	SCR 10-12 A SHLD TRP 1/2 S ZN BLUE
28	033668-000	1	BRACKET, DISCONNECT
29	PE070069	1	STRAIGHT-THRU BUSHING
30	045548-000	6	CLIP, ROUTING, WIRE?
31	047069-000	1	BASE, SUMP, GRIDDLE, ASM
32	010328-000	1	10-24 X 1/2 TY F W/HEX WASH
33	049777-000	1	INSULATION, LINER, GRIDDLE, BURNER PAN, 36
34	048961-000	9	STANDOFF, TWIST LOCK, TALL
35	037304-000	1	FASTENER, PNH, TORX, AB, PSVD, WAX
36	049964-000	1	SHIELD, HEAT, HARNESS, TOP

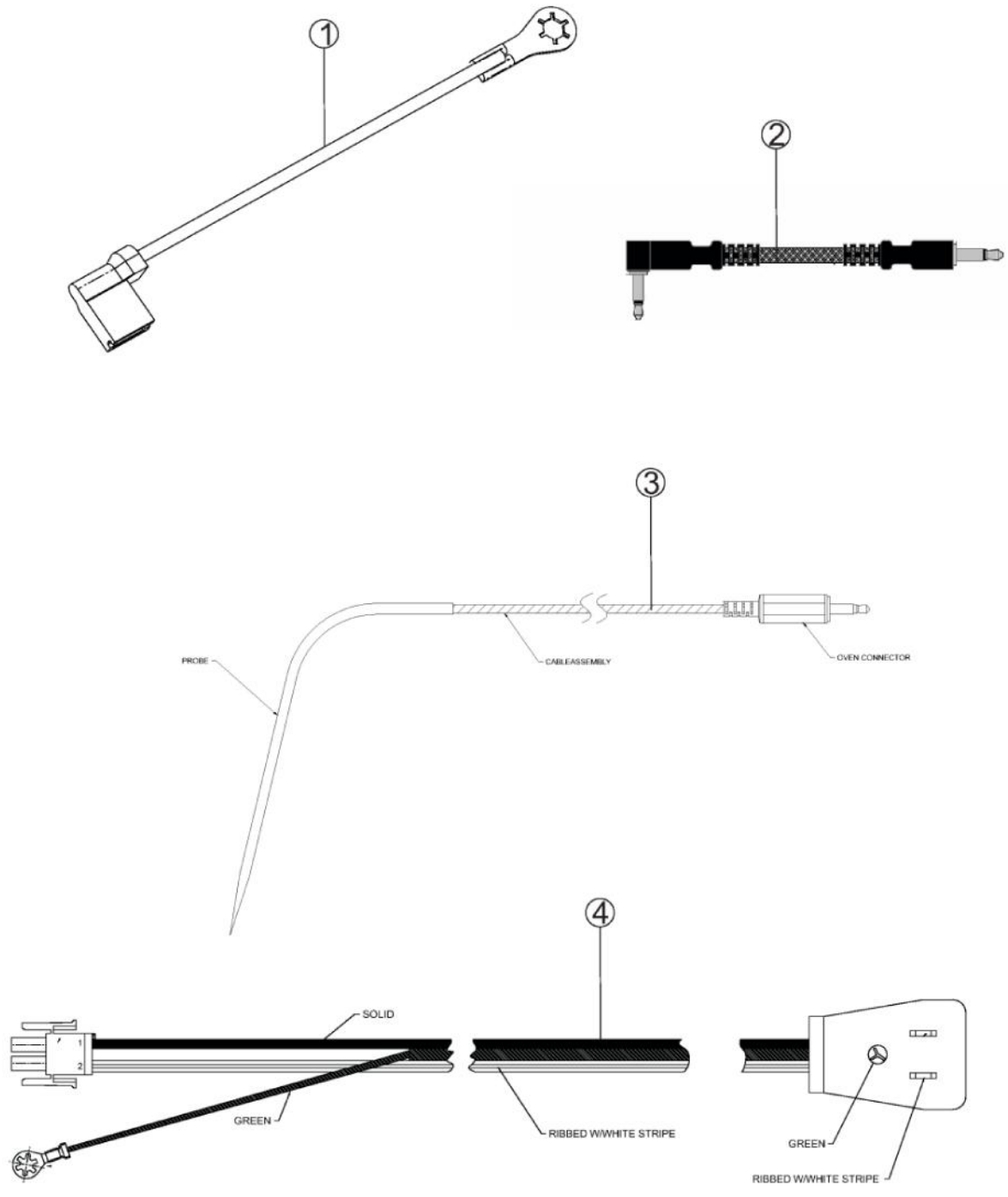


Ref #	Part Number	Qty.	Description
1	043159-000	2	E-BURNER HEAD
2	043791-000	1	BURNER, HEAD, BRS, C-SIZE
3	043251-000	1	D-BURNER HEAD
4	044487-000	3	VENTURI, D NAT, D LP, FLANGE, BNR
5	044686-000	1	VENTURI, C NAT, C LP, FLANGE, BNR
NI	051790-000	1	TC-0101-SP 7 SERIES LR SURFACE BURNER KIT (FOR UNITS MANUFACTURED BEFORE 8/5/14)
6	043158-000	2	E-BURNER BASE
7	043249-000	1	BASE, BNR, D
8	G3001876	1	IR BURNER ASSY (VGSC/RC) N/S
9	043790-000	1	BURNER, BASE, C-SIZE
10	043208-000	4	HOLDER, JET, BURNER
11	043276-000	1	BURNER, BAKE, ASM, 36 - NAT
11	044236-000	1	BURNER, BAKE, ASM, 36- LP
12	046133-000	1	BURNER, GRIDDLE
13	PB020191	4	15 FLEX TUBE
14	046964-000	8	SCREW, 10-32 X 3/4, CTSK, BLACK
15	PB020198	2	20 FLEX TUBING
16	043675-000	2	ORIFICE, BNR, STD, 2.18MM - NAT
16	043679-000	2	ORIFICE, BNR, STD, 1.32MM - LP
17	044688-000	1	ORIFICE, BNR, STD, 1.22MM - NAT
17	044820-000	1	ORIFICE, BNR, STD, .813MM - LP
18	043677-000	1	ORIFICE, BNR, STD, 1.78MM - NAT
18	043680-000	1	ORIFICE, BNR, STD, 1.07MM - LP
19	046912-000	1	MANIFOLD, GRIDDLE, GAS, 36 ASM
20	046119-000	1	PRESSURE REGULATOR - NAT
20	046120-000	1	REGULATOR, PRSS, 3/4 INLET, 3/4 OUTLET - LP
21	PD010012	6	VALVE BOLT 1/4-20 UNC-2B 5/16 M.S.
22	044321-000	4	FITTING, ADAPTOR, 3/4 FLEX TUBING
23	002884-000	1	MANIFOLD PLUG
24	PB030007	1	SHUT OFF VALVE
25	044824-000	2	FITTING, ADAPTOR, 1/2 FLEX TUBING
26	PB040190	1	90 DEGREE ORIFICE FITTING NO.50 NAT
26	002513-000	1	90 DEGREE ORIFICE FITTING NO.57 LP
27	044637-000	1	NIPPLE, PIPE, 2-1/2, 3/4 NPTM TO 3/4 NPTM
28	009111-000	1	VALVE, SOL, SINGLE
29	046197-000	2	VALVE, BNR, 9/16-24 UNEF ASSY - NAT
29	047915-000	2	VALVE, BNR, 9/16-24 UNEF ASSY - LP
30	PB040050	4	3/8CC MALE COMP. FITTING W/FERRULE
31	044323-000	1	TEE, PIPE, 3/4
32	044691-000	1	ADAPTOR, COMPRESSION, 1/2 NPTF TO 3/8 TUBE O.D.
33	046396-000	1	TUBING, 1/2 I.D., FLEX, SST, 26
34	043134-000	2	VALVE, BNR, 9/16-24 UNEF ASSY - NAT
34	047916-000	2	VALVE, BNR, 9/16-24 UNEF ASSY - LP
35	048031-000	1	90 DEG ORIFICE FITTING, NO.39 DRILL
35	048028-000	1	90 DEG ORIFICE FITTING NO.51 DRILL
36	PB020116	2	TUBING - 10 FLEXIBLE 12 & 24
37	PB040178	1	90 DEGREE ORIFICE FITTING (VGSC306)
38	PD030018	2	PALNUT - 3/4-16
39	009112-000	1	VALVE, SOL, DOUBLE
40	044638-000	1	TEE, PIPE, 3/4 NPTF TO 1/2 NPTM
41	PB040213	1	3/8 COMPRESSION NUT (DGCU)
42	003860-000	1	NO.10-18 X .500 FASTNR,SCR,HXWH,STL,ZPLT
43	037304-000	1	FASTENER, PNH, TORX, AB, PSVD, WAX
44	PB040192	1	3/8`` CC FERREL (DGCU)
45	PB020126	1	3/8`` S.S. FLEX TUBING 15`` (DGCU)
46	PB040050	1	3/8CC MALE COMP. FITTING W/FERRULE
47	PB020004	1	3/4 SQUARE TUBING
48	046399-000	2	TUBING, 3/4 FLEX, SST, 20
49	PB040026	1	IR BURNER ORIFICE - NO.48 NAT.

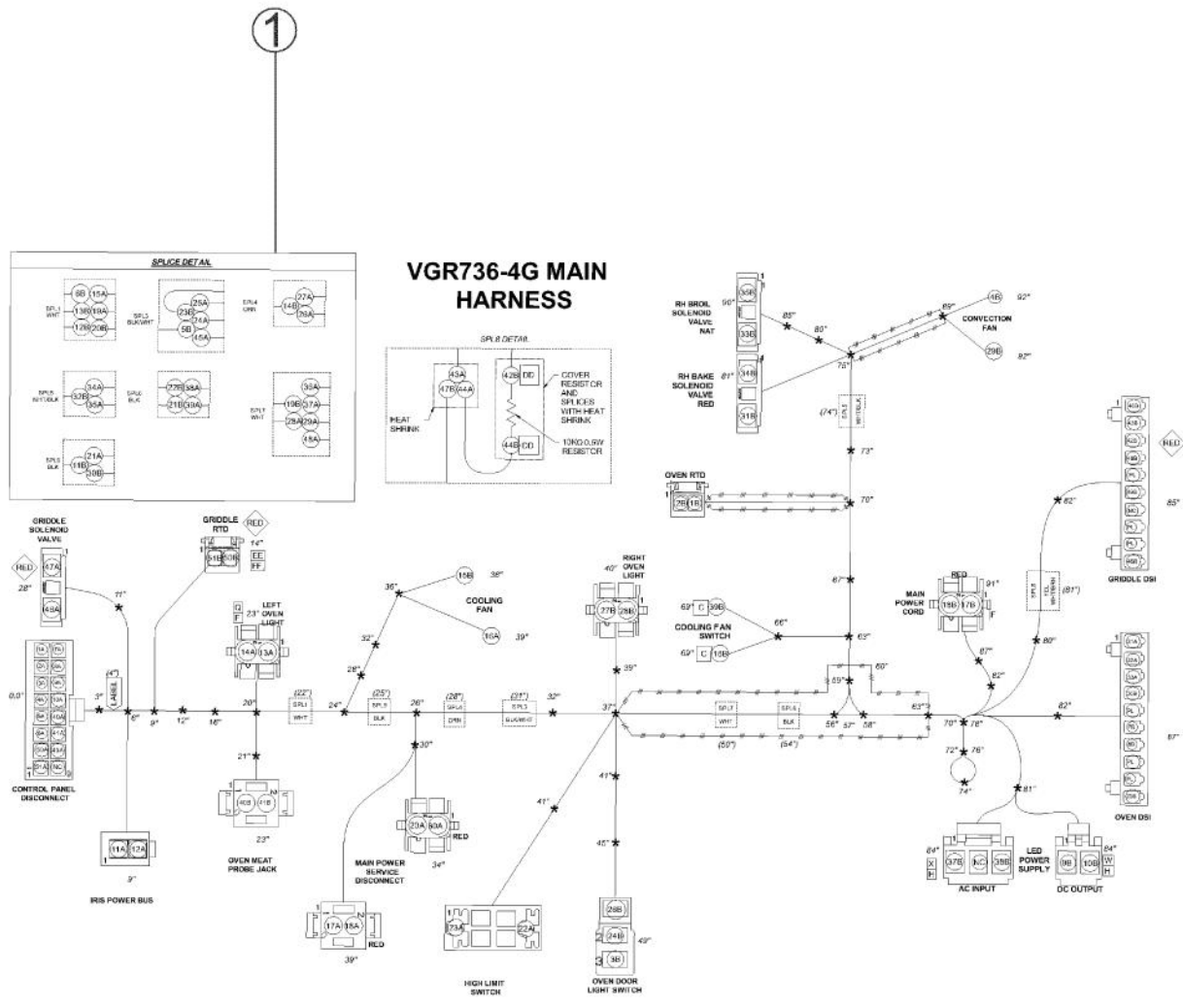
Ref #	Part Number	Qty.	Description
49	PB040026	1	IR BURNER ORIFICE - NO.48 NAT.
49	PB040027	1	IR BUR.SPUD ORF. - NO.56 LP



Ref #	Part Number	Qty.	Description
1	019959-000	1	FAN, COOLING, DUAL, 120V X 180MM
2	043615-000	1	ASSEMBLY, ELECTRODE
3	043657-000	1	ELECTRODE W/LEAD, BAKE, ASSY?
4	043994-000	2	WIRE, GROUND, 5
5	045032-000	1	SWITCH, DOOR, W-CONNECTOR, ASM
6	044195-000	2	SWITCH, PB-LT, 5WIRE, ASSY
7	043135-000	2	HOUSING, LIGHT, LED, BLUE 3.3V
8	046283-000	1	SWITCH, LIGHTS, ACCENT W/CONN?
9	PA020028	1	SPARK IGNITER
10	PA020058	4	IRIS SINGLE SPARK MODULE
11	023090-000	1	MOTOR, CONV ASM?
12	007008-000	1	RTD PROBE
13	PE050206	1	RTD THERMOSTAT PROBE
14	038413-000	2	TSTAT, SMPS, ELEC, 2-POS, .91 SHAFT, CB
15	028312-000	2	WIRE, ELECTRODE, IRIS, REAR?
16	028324-000	2	WIRE, ELECTRODE, IRIS, FRONT?
17	005311-000	2	120V/25W HALOGEN LIGHT
18	046359-000	1	SUPPLY, POWER, ASM
19	M0211021		SCREW-SM
20	045932-000	4	WASHER, ELECTRODE?
21	043453-000	2	MODULE, DSI
22	043065-000	1	ELECTRODE, ASM E?
23	043065-000	1	ELECTRODE, ASM E?
24	043067-000	2	ELECTRODE, ASM, D?
25	037304-000		FASTENER, PNH, TORX, AB, PSVD, WAX
26	PJ030022	1	HIGH LIMIT SWITCH
27	PD020006		NO.6-32 X 1/4 PH.PAN HD. T(F)
28	048014-000	1	SWITCH, LIM, HIGH, 90 DEG C
29	009111-000	1	VALVE, SOL, SINGLE
30	038655-000	1	GRIDDLE, JUMPER, BRIGADE
31	045528-000	4	STANDOFF, LOCKING CLIP
32	049878-000	3	CORD, CLIP, ADHESIVE
33	PD020067		NO.6 X 3/8 PAN PHIL. TEK SS
34	M0238731		SCREW-SM
35	008882-000		FASTENER, WSHR, LCKG, 1/4 I.D.
36	008883-000		FASTENER, NUT, SST, 1/4 32
37	008880-000	2	MEAT PROBE RECEPTACLE ASM
38	044929-000	5	LAMP, LED, 12VDC, WHITE, PLUG, RECEP, ASM
39	045594-000		SCREW, SHCS, NO.4-40 X 3/8, SS
NI	048830-000	1	KITCHEN THERMOMETER
NI	048831-000	1	KITCHEN THERMOMETER P/N 1KT002 VIKING OVERLAY
NI	048813-000	1	HARNES, LED, RES, JUMPER



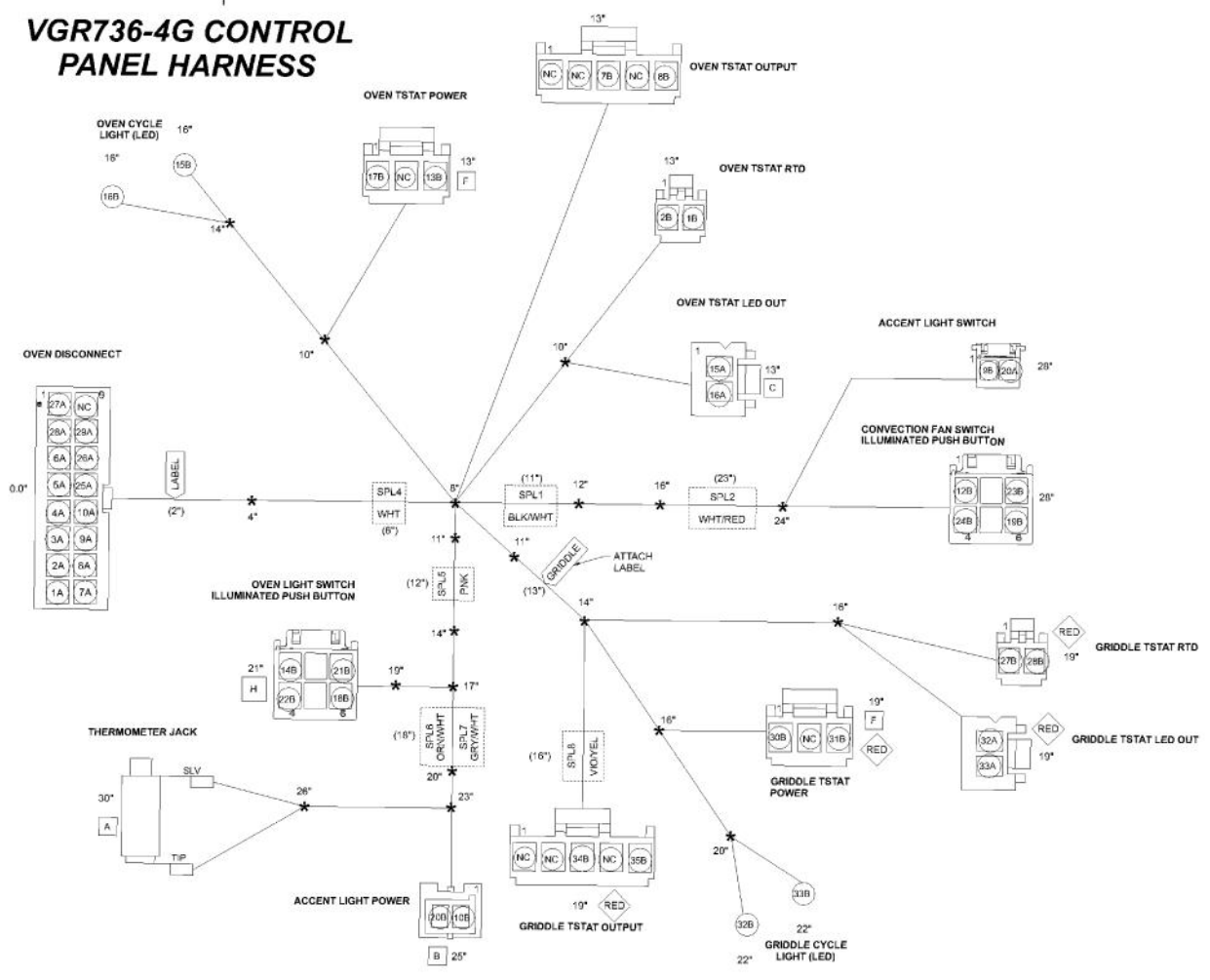
Ref #	Part Number	Qty.	Description
1	043994-000	2	WIRE, GROUND, 5
2	046021-000	1	CORD, ADPT, M-M, 2.5TS, 2.5TS, SST
3	046020-000	1	PROBE, MEAT, OVEN, IGRILL, SST, 3.5MM
4	044747-000	1	CORD, SUPPLY, CORD



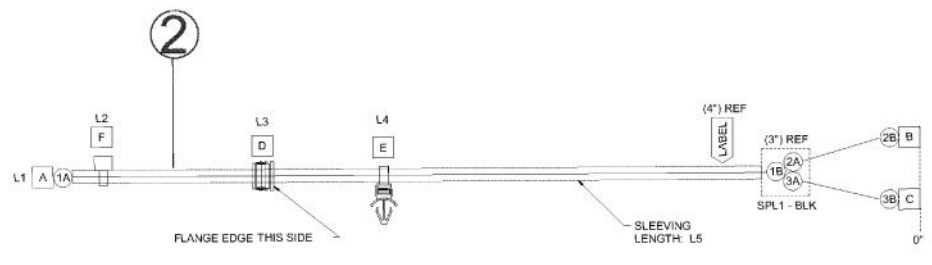
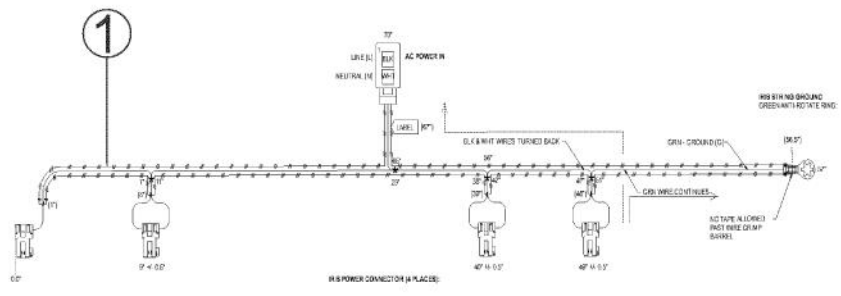
Ref #	Part Number	Qty.	Description
1	049307-000	1	HARN, VGR7364G, MAIN

1

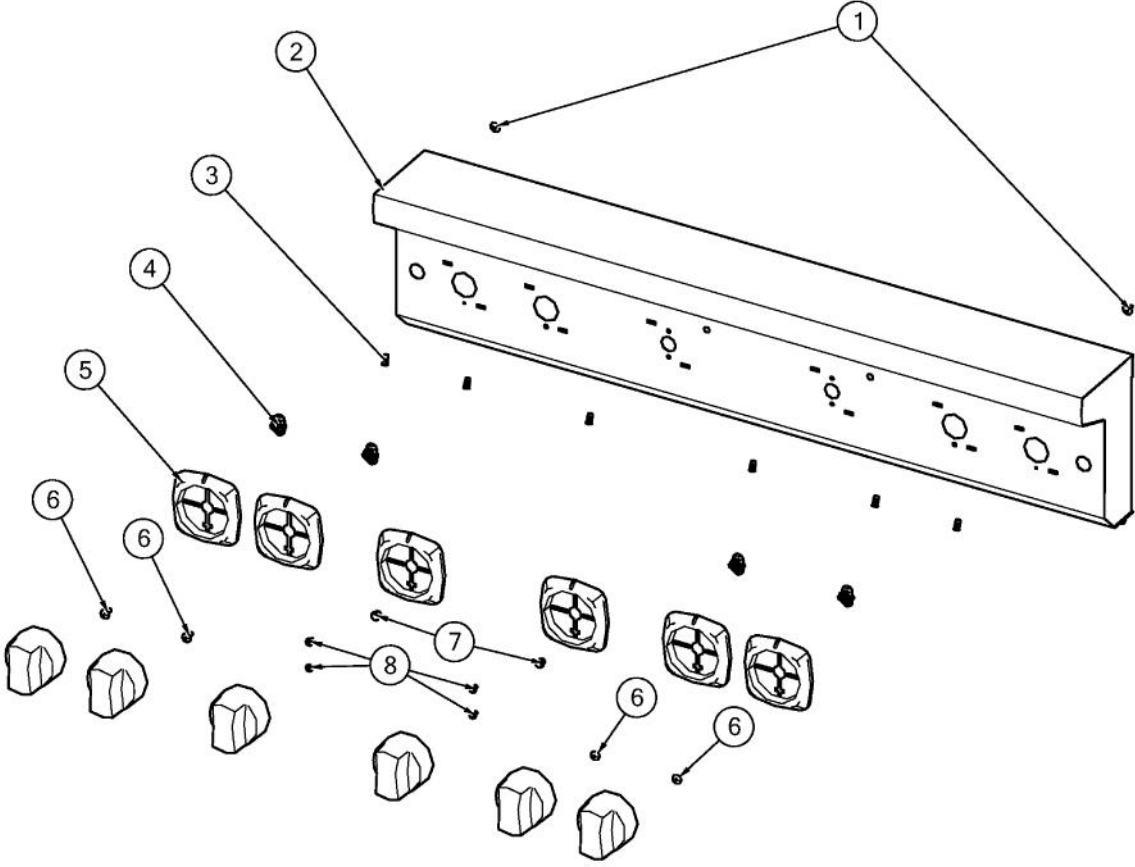
VGR736-4G CONTROL PANEL HARNESS



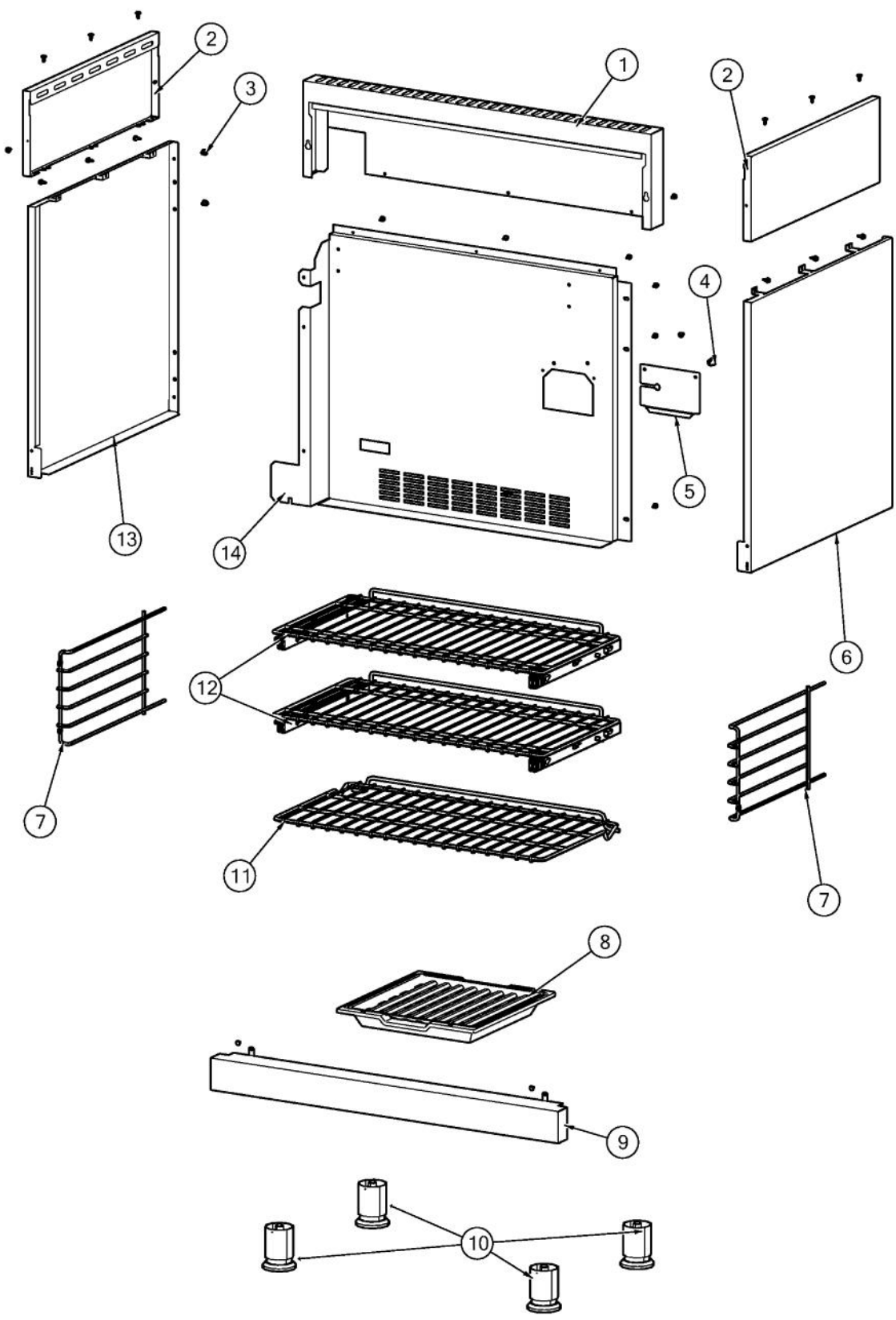
Ref #	Part Number	Qty.	Description
1	049308-000	1	HARN, VGR7364G, CP



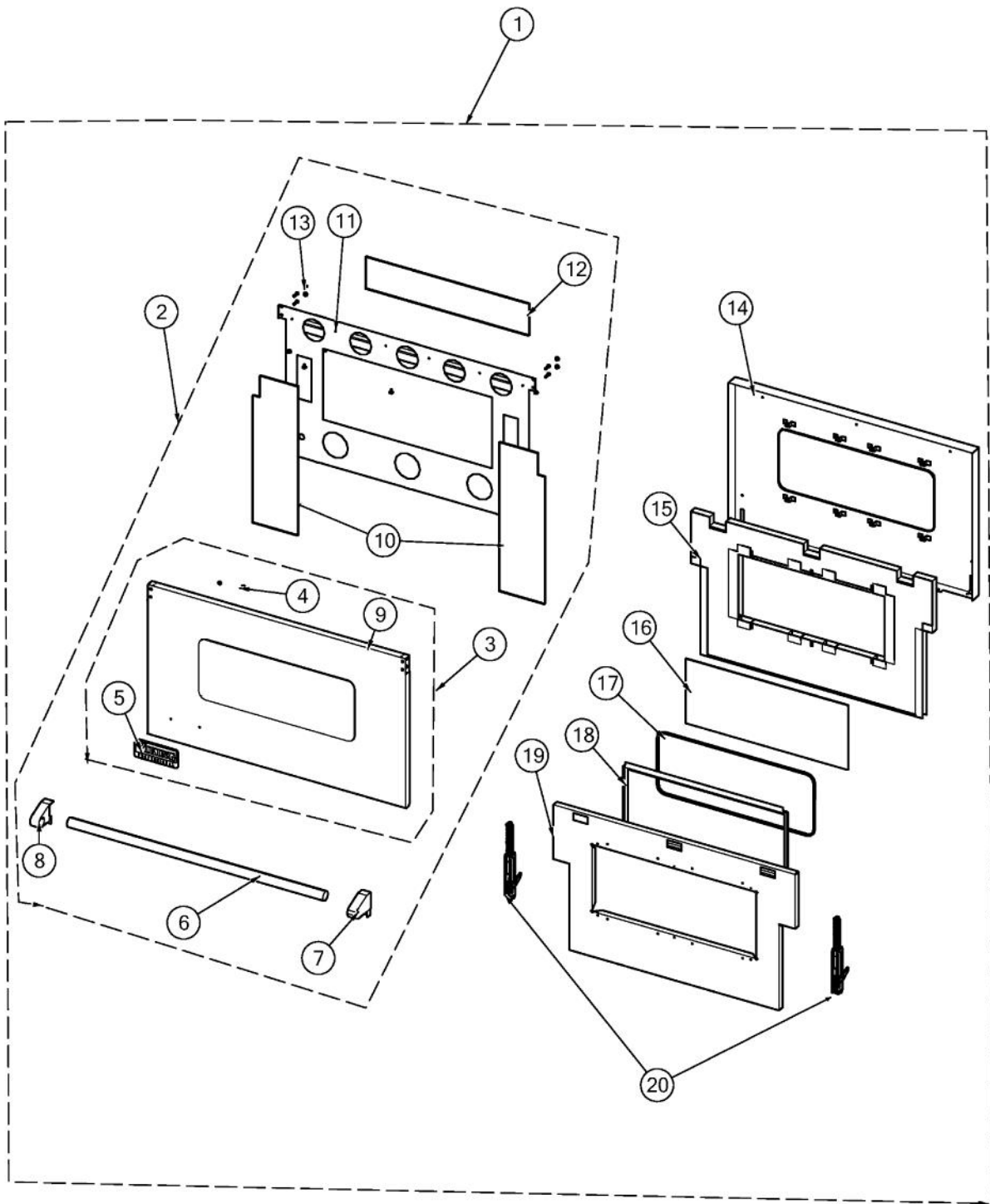
Ref #	Part Number	Qty.	Description
1	049031-000	1	HARN, IRIS, 36, 4G, W/CONN
2	049310-000	1	HARN, VGR7364G, ELECTRODE, GRIDDLE



Ref #	Part Number	Qty.	Description
1	PD020073	2	SRW NO.10 X 24 X 3/8 WAFER HD TYPE23
2	048866-2669	1	PNL, CTRL, VGR7364G, W/GRAPHICS
3	044937-000	6	LENS, COVER, LED, CLEAR
4	044512-000	4	BEARING, BEZEL, ASM
5	048309-000	6	BZL, KNOB
6	PD020046	4	NO.8 X 1/2 SCREWS
7	027968-000	2	INDICATOR, LIGHT, BLUE
8	PD020269	4	NO.8 PAN HEAD SCREW



Ref #	Part Number	Qty.	Description
1	042117-000	1	TRIM, IS, VGR, 36?
2	042404-000	2	COVER, OS, RH/LH UPPER?
3	003860-000		NO.10-18 X .500 FASTNR,SCR,HXWH,STL,ZPLT
4	PE070069	1	STRAIGHT-THRU BUSHING
5	043746-000	1	PNL, ACCESS, W/HEYCO
6	042375-000	1	COVER, OS, RH SS
6	049551-024	1	COVER, OS, RH AR
6	049551-002	1	COVER, OS, RH BK
6	049551-008	1	COVER, OS, RH BU
6	049551-013	1	COVER, OS, RH CB
6	049551-051	1	COVER, OS, RH CN
6	049551-052	1	COVER, OS, RH DJ
6	049551-005	1	COVER, OS, RH GG
6	049551-004	1	COVER, OS, RH SG
6	049551-012	1	COVER, OS, RH VB
6	049551-006	1	COVER, OS, RH WH
6	049551-054	1	COVER, OS, RH WS
7	030191-000	2	GUIDE, RACK
8	042253-000	1	PAN, BROILER, PORCELAIN ASM
9	042287-000	1	KICKPLATE 36
9	042323-024	1	KICKPLATE 36?AR
9	042323-002	1	KICKPLATE 36?BK
9	042323-008	1	KICKPLATE 36?BU
9	042323-013	1	KICKPLATE 36?CB
9	042323-051	1	KICKPLATE 36?CN
9	042323-052	1	KICKPLATE 36?DJ
9	042323-005	1	KICKPLATE 36?GG
9	042323-004	1	KICKPLATE 36?SG
9	042323-012	1	KICKPLATE 36?VB
9	042323-006	1	KICKPLATE 36?WH
9	042323-054	1	KICKPLATE 36?WS
10	044178-000	4	RANGE, LEG, ADJUSTABLE
11	040865-000	1	RACK, PRO, 36
12	040349-000	2	RACK, GLDE, 36, PRO ASSY
13	042372-000	1	COVER, OS, LH SS
13	049552-024	1	COVER, OS, LH AR
13	049552-002	1	COVER, OS, LH BK
13	049552-008	1	COVER, OS, LH BU
13	049552-013	1	COVER, OS, LH CB
13	049552-051	1	COVER, OS, LH CN
13	049552-052	1	COVER, OS, LH DJ
13	049552-005	1	COVER, OS, LH GG
13	049552-004	1	COVER, OS, LH SG
13	049552-012	1	COVER, OS, LH VB
13	049552-006	1	COVER, OS, LH WH
13	049552-054	1	COVER, OS, LH WS
14	042543-000	1	COVER, BACK, 36



Ref #	Part Number	Qty.	Description
1	043692-000	1	DOOR, ASM, 36 SS
1	049557-024	1	DOOR, ASM, 36 AR
1	049557-002	1	DOOR, ASM, 36 BK
1	049557-008	1	DOOR, ASM, 36 BU
1	049557-013	1	DOOR, ASM, 36 CB
1	049557-051	1	DOOR, ASM, 36 CN
1	049557-052	1	DOOR, ASM, 36 DJ
1	049557-005	1	DOOR, ASM, 36 GG
1	049557-004	1	DOOR, ASM, 36 SG
1	049557-012	1	DOOR, ASM, 36 VB
1	049557-006	1	DOOR, ASM, 36 WH
1	049557-054	1	DOOR, ASM, 36 WS
2	043691-000	1	DOOR, OS, KIT, 36, ASM SS
2	049556-024	1	DOOR, OS, KIT, 36, ASM AR
2	049556-002	1	DOOR, OS, KIT, 36, ASM BK
2	049556-008	1	DOOR, OS, KIT, 36, ASM BU
2	049556-013	1	DOOR, OS, KIT, 36, ASM CB
2	049556-051	1	DOOR, OS, KIT, 36, ASM CN
2	049556-052	1	DOOR, OS, KIT, 36, ASM DJ
2	049556-005	1	DOOR, OS, KIT, 36, ASM GG
2	049556-004	1	DOOR, OS, KIT, 36, ASM SG
2	049556-012	1	DOOR, OS, KIT, 36, ASM VB
2	049556-006	1	DOOR, OS, KIT, 36, ASM WH
2	049556-054	1	DOOR, OS, KIT, 36, ASM WS
3	043690-000	1	SKIN, OS, KIT, 36 ASM SS
3	049555-024	1	SKIN, OS, KIT, 36 ASM AR
3	049555-002	1	SKIN, OS, KIT, 36 ASM BK
3	049555-008	1	SKIN, OS, KIT, 36 ASM BU
3	049555-013	1	SKIN, OS, KIT, 36 ASM CB
3	049555-051	1	SKIN, OS, KIT, 36 ASM CN
3	049555-052	1	SKIN, OS, KIT, 36 ASM DJ
3	049555-005	1	SKIN, OS, KIT, 36 ASM GG
3	049555-004	1	SKIN, OS, KIT, 36 ASM SG
3	049555-012	1	SKIN, OS, KIT, 36 ASM VB
3	049555-006	1	SKIN, OS, KIT, 36 ASM WH
3	049555-054	1	SKIN, OS, KIT, 36 ASM WS
4	PD030006	2	CAPPED WASHER PAL NUT
5	PE010030	1	LOGO, 6, PRO, BK
6	006080-000	1	36 DOOR HANDLE, SST
7	003012-000	1	DOOR HANDLE ENDCAP ASSY, RH (CHROME)
8	003011-000	1	DOOR HANDLE ENDCAP ASSY, LH (CHROME)
9	N/P	1	CABINET (MUST ORDER ITEM NO. 3)
10	006086-000	2	DOOR, SKIN, INSULATION, SIDE, 36
11	045404-000	1	RETAINER, INSULATION, DOOR
12	006788-000	1	INSULATION, DOOR, TOP, SUPERWOOL, .25, VDSC530
13	004907-000	1	STEEL FINISHING PLUG, NICKEL PLTD 25/64 HOLE
14	043688-402	1	PNL, LINER, WA, 36 BK
15	046051-000	1	INSULATION, LINER, DOOR, 36
16	025099-000	1	INNER DOOR GLASS, 30
17	PB070014	1	DOOR GLASS SEAL STRIP - WINDOW DRS.
18	L20014077	1	30 WINDOW HOLDER NOT FIELD REPLACEABLE
19	046030-000	1	RETAINER, INSL, 36 INSIDE
20	046000-000	2	HINGE, NUOVA STAR, BLUE